

00**ORGANE DE BASE MOTEUR**

ENGINE BASIC COMPONENT

GRUNDORGAN MOTOR

45**ORGANE REFROIDISSEMENT**

COOLING COMPONENT

ORGAN KÜHLUNG

208**MOTEUR M 62 S C.A. "GROUPE"**

ENGINE M 62 S "GROUPE" CAB

MOTOR M 62 S "GROUPE" FAHRERHAUS

VALIDITE DU
TYPE D'ORGANECOMPONENT
APPLICABILITYGÜLTIGKEIT
DES
ORGANTYPESMOTEUR N° : 6705
ENGINE N° : 6705
MOTOR Nr : 6705**00****45****208**N° EDITION
CATALOGUEN° DE
PLANCHE

1

2

3

4

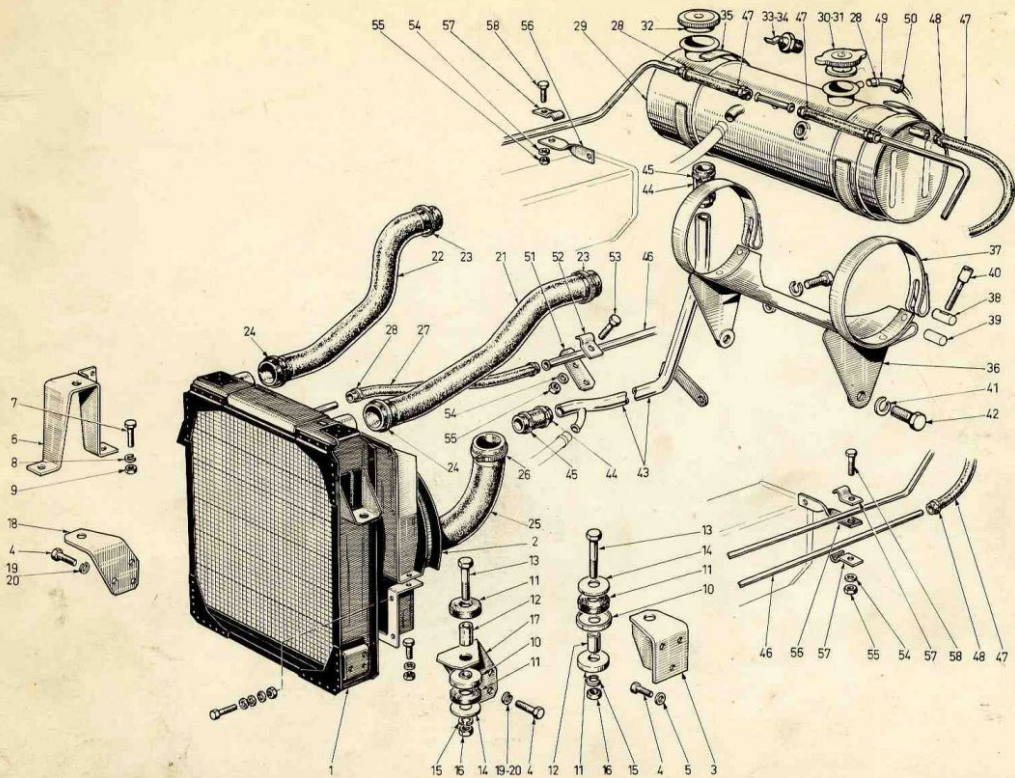
5

| | | |
|---|----|----|
| Radiateur | 00 | 01 |
| <i>Radiator</i> | | |
| <i>Kühler</i> | | |
| Collecteurs d'eau | 00 | 02 |
| <i>Water manifolds</i> | | |
| <i>Wasserkollektoren</i> | | |
| Pompe à eau | 00 | 03 |
| <i>Water pump</i> | | |
| <i>Wasserpumpe</i> | | |
| Ventilateur, poulies, courroies | 00 | 04 |
| <i>Fan, pulleys, belts</i> | | |
| <i>Lüfter, Keilriemenscheiben, Riemen</i> | | |

| | | | |
|---|----------------|-----------------------|--------------------|
| 1 | ORGANE DE BASE | BASIC COMPONENT | GRUND-ORGAN |
| 2 | ORGANE | COMPONENT | ORGAN |
| 3 | TYPE D'ORGANE | COMPONENT TYPE | ORGANTYP |
| 4 | N° EDITION | CATAL. EDITION NUMBER | NUMMER DER AUSGABE |
| 5 | N° PLANCHE | PLATE NUMBER | BILD Nr. |
| 6 | REPÈRE | MARKING | KENNZIFFER |

| | | | |
|----|----------------------|--------------------|---------------------|
| 7 | N° PIÈCE | PART N° | TEIL Nr. |
| 8 | DÉSIGNATION | DESIGNATION | BESCHRIFTUNG |
| 9 | QUANTITÉ | QUANTITY | MENGE |
| 10 | CODE OBSERVATIONS | CODE OF OBSERV. | ANMERKUNGEN KODE |
| 11 | DÉTAILS OBSERVATIONS | DETAILS OF OBSERV. | ANMERKUNGEN BEDEUT. |

camions
UNIC
FIAT
Edition : 1/12/72
Ausgabe :Référence : 655.770
Kennzahl :



| | | | | |
|-----------|-----------|------------|-----------|-----------|
| 00 | 45 | 208 | 00 | 01 |
| 1 | 2 | 3 | 4 | 5 |

DÉSIGNATION PLANCHE : SE RÉFÉRER AUX PAGES "SOMMAIRE"
 PLATE DESIGNATION : REFER TO FLYLEAF
 BILDBESCHRIFTUNG : SIEHE VORSATZBLÄTTER

| | | | | |
|-----------|-----------|------------|-----------|-----------|
| 00 | 45 | 208 | 00 | 01 |
| 1 | 2 | 3 | 4 | 5 |

camions
UNIC
FIAT

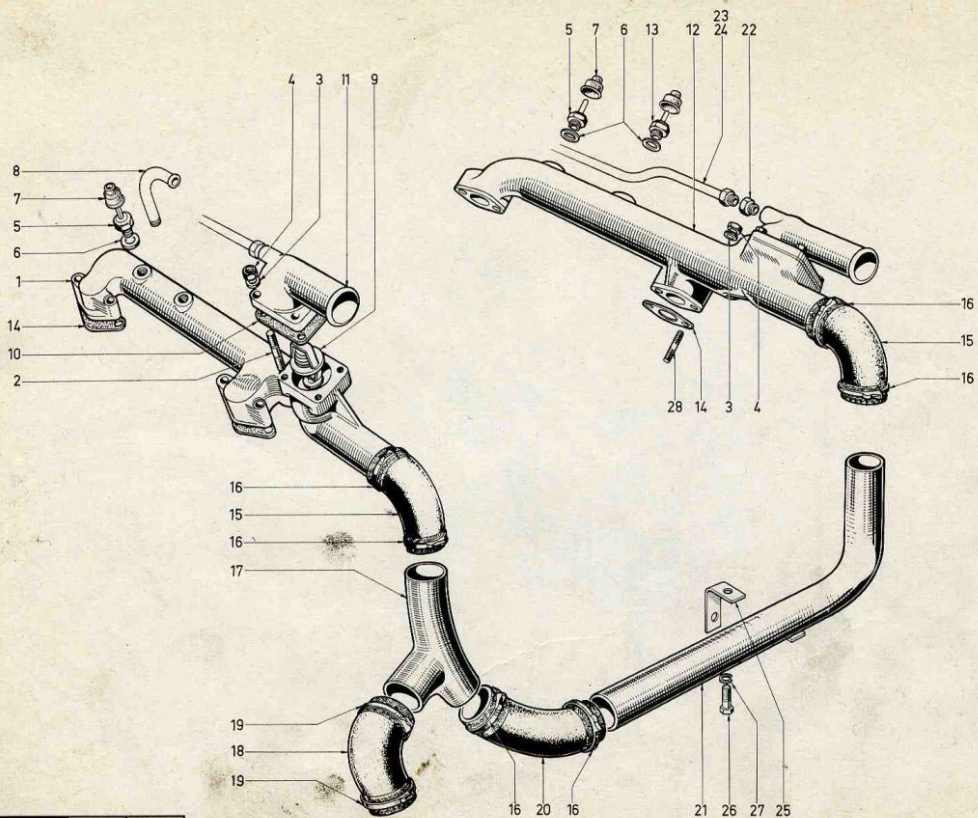
| 6 | 7 | 8 | 9 | 10 |
|----|----------|-----------------|---|----|
| 1 | 61670474 | RADIATEUR ASS | 1 | |
| 2 | 61235311 | BUSE | 1 | |
| 3 | 61667800 | SUPPORT SUP G | 1 | |
| 4 | 61803105 | VIS | 9 | |
| 5 | 61815224 | RONDELLE | 3 | |
| 6 | 61666854 | SUPPORT SUP D | 1 | |
| 7 | 61803150 | VIS | 2 | |
| 8 | 61815005 | RONDELLE | 2 | |
| 9 | 61801354 | ECROU | 2 | |
| 10 | 61207622 | COUPELLE | 4 | |
| 11 | 61212329 | CAGE CAQUITCHOU | 8 | |
| 12 | 61214231 | ENTRETOISE | 4 | |
| 13 | 61803195 | VIS | 4 | |
| 14 | 61067583 | RONDELLE | 4 | |
| 15 | 61815226 | RONDELLE | 4 | |
| 16 | 61801033 | ECROU | 4 | |
| 17 | 61578652 | SUPPORT GAUCHE | 1 | |
| 18 | 61578670 | EQUERRE DROITE | 1 | |
| 19 | 61815320 | RONDELLE | 6 | |
| 20 | 61815039 | RONDELLE | 6 | |
| 21 | 61236338 | DURITE GAUCHE | 1 | |
| 22 | 61236335 | DURITE DROITE | 1 | |
| 23 | 61830652 | COLLIER | 3 | |
| 24 | 61830651 | COLLIER | 2 | |
| 25 | 61236340 | DURITE | 1 | |

| 6 | 7 | 8 | 9 | 10 |
|----|----------|----------------|---|----|
| 26 | 61095358 | COLLIER | 1 | |
| 27 | 61236078 | DURITE | 1 | |
| 28 | 61711682 | COLLIER | 7 | |
| 29 | 61669180 | RESERVOIR ASS | 1 | |
| 30 | 61653354 | BOUCHON | 1 | |
| 31 | 61653355 | JOINT | 1 | |
| 32 | 61653356 | BOUCHON | 1 | |
| 33 | 61666340 | INDICATEUR | 1 | |
| 34 | 61221341 | JOINT | 1 | |
| 35 | 61239959 | ANTI VIBRATEUR | 2 | |
| 36 | 61670583 | SUPPORT | 1 | |
| 37 | 61576500 | SANGLE | 2 | |
| 38 | 61206221 | BARILLET | 2 | |
| 39 | 61206222 | BARILLET | 2 | |
| 40 | 61576501 | VIS | 2 | |
| 41 | 61815228 | RONDELLE | 2 | |
| 42 | 61573900 | VIS | 2 | |
| 43 | 61670376 | TUBE | 1 | |
| 44 | 61235354 | DURITE | 2 | |
| 45 | 61095355 | COLLIER | 4 | |
| 46 | 61237149 | TUBE | 1 | |
| 47 | 61237148 | DURITE | 3 | |
| 48 | 61830647 | COLLIER | 2 | |
| 49 | 61232608 | DURITE | 1 | |
| 50 | 61254954 | COLLIER | 1 | |

NUMERO CLASSEMENT FILE NUMBER ABLAGENUMMER **9224** REF. DE PARUTION PUBLICATION REF. AUSGABEBEZUGSNR **158 158**

LIRE - READ - HEISSEN

| Rep. Mark. Kennzr. | Référence Reference Kennzahl | Désignation Designation Bezeichnung | Quant. Quant. Menge | Code Code Code | Rep. Mark. Kennzr. | Référence Reference Kennzahl | Désignation Designation Bezeichnung | Quant. Quant. Menge | Code Code Code |
|--------------------|------------------------------|-------------------------------------|---------------------|----------------|--------------------|------------------------------|-------------------------------------|---------------------|----------------|
| 30 | 653 354 | Bouchon - Plug - Pfropfen | | | | | | | |
| 31 | 653 355 | Joint - Seal - Dichtung | | | | 653 356 | Bouchon - Plug - Pfropfen | | |
| 32 | 653 356 | Bouchon - Plug - Pfropfen | | | | 653 354 | Bouchon - Plug - Pfropfen | | |
| | | | | | | 653 355 | Joint - Seal - Dichtung | | |



| | | | | |
|----|----|-----|----|----|
| 00 | 45 | 208 | 00 | 02 |
| 1 | 2 | 3 | 4 | 5 |

DÉSIGNATION PLANCHE : SE RÉFÉRER AUX PAGES "SOMMAIRE"
 PLATE DESIGNATION : REFER TO FLYLEAF
 BILDBESCHRIFTUNG : SIEHE VORSATZBLÄTTER

| | | | | |
|----|----|-----|----|----|
| 00 | 45 | 208 | 00 | 02 |
| 1 | 2 | 3 | 4 | 5 |

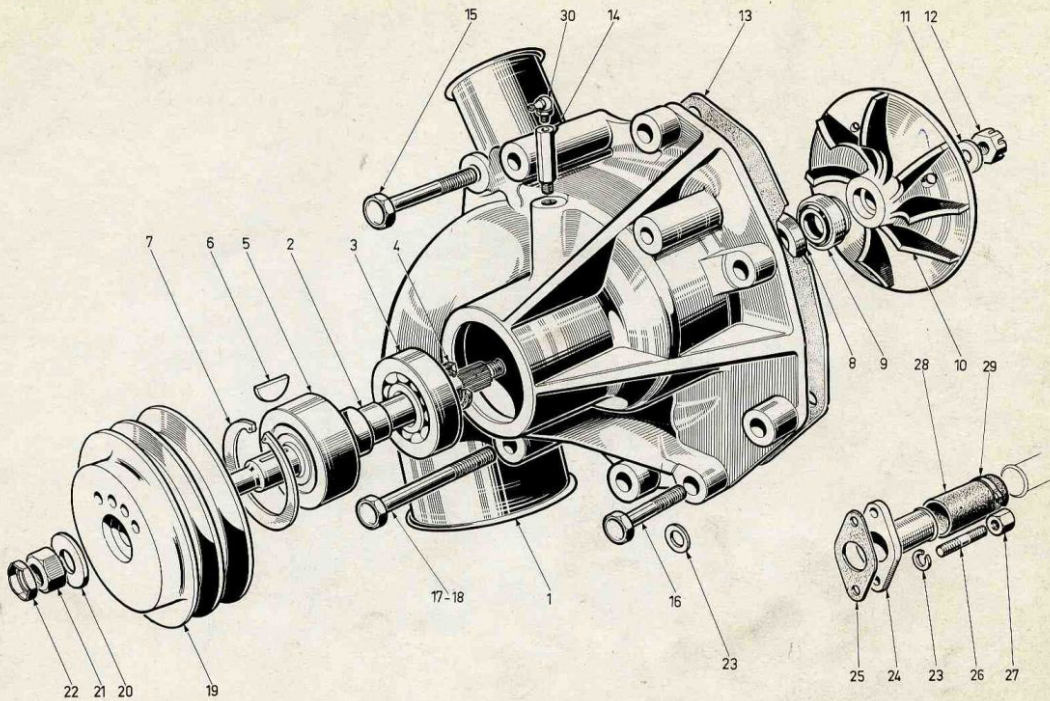
camions
UNIC
FIAT

| 6 | 7 | 8 | 9 | 10 |
|----|----------|-------------------|----|----|
| 1 | 61235747 | COLLECTEUR D | 1 | |
| 2 | 61520068 | GOUJON | 8 | |
| 3 | 61230425 | RONDELLE | 16 | |
| 4 | 61801011 | ECROU | 16 | |
| 5 | 61670540 | THERMO CONTACT | 2 | |
| 6 | 61206081 | JOINT | 3 | |
| 7 | 61234936 | CAPUCHON | 2 | |
| 8 | 61226311 | TUBE CHAUFFAGE | 1 | |
| 9 | 61573061 | THERMOSTAT (8620) | 2 | |
| 10 | 61219830 | JOINT | 2 | |
| 11 | 61234966 | COUVERCLE | 2 | |
| 12 | 61235748 | COLLECTEUR G | 1 | |
| 13 | 61208608 | TRANSMETTEUR | 1 | |
| 14 | 61576974 | JOINT | 4 | |
| 15 | 61235161 | DURITE | 2 | |
| 16 | 61830651 | COLLIER | 6 | |
| 17 | 61235098 | BY PASS | 1 | |
| 18 | 61235169 | DURITE | 1 | |
| 19 | 61830652 | COLLIER | 2 | |
| 20 | 61235183 | DURITE | 1 | |
| 21 | 61667310 | TUBE LIAISON | 1 | |
| 22 | 61251145 | UNION | 2 | |
| 23 | 61235211 | TUBE | 1 | |
| 24 | 61238257 | TUBE | 1 | |
| 25 | 61237157 | EQUERRE | 1 | |

| 6 | 7 | 8 | 9 | 10 |
|----|----------|----------|---|----|
| 26 | 61803124 | VIS | 1 | |
| 27 | 61815224 | RONDELLE | 1 | |
| 28 | 61520058 | GOUJON | 8 | |

| | |
|----|----|
| 10 | 11 |
|----|----|

| | |
|----|----|
| 10 | 11 |
|----|----|



| | | | | |
|-----------|-----------|------------|-----------|-----------|
| 00 | 45 | 208 | 00 | 03 |
| 1 | 2 | 3 | 4 | 5 |

| | | | | |
|-----------|-----------|------------|-----------|-----------|
| 00 | 45 | 208 | 00 | 03 |
| 1 | 2 | 3 | 4 | 5 |

DÉSIGNATION PLANCHE : SE RÉFÉRER AUX PAGES "SOMMAIRE"
 PLATE DESIGNATION : REFER TO FLYLEAF
 BILDBESCHRIFTUNG : SIEHE VORSATZBLÄTTER

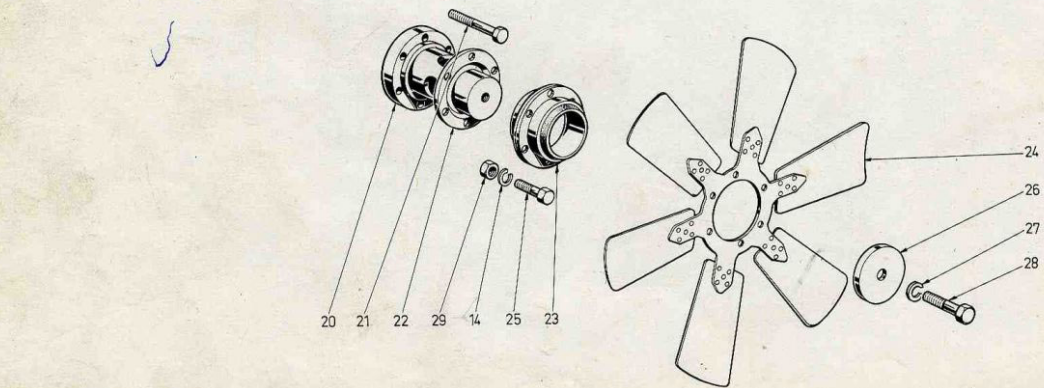
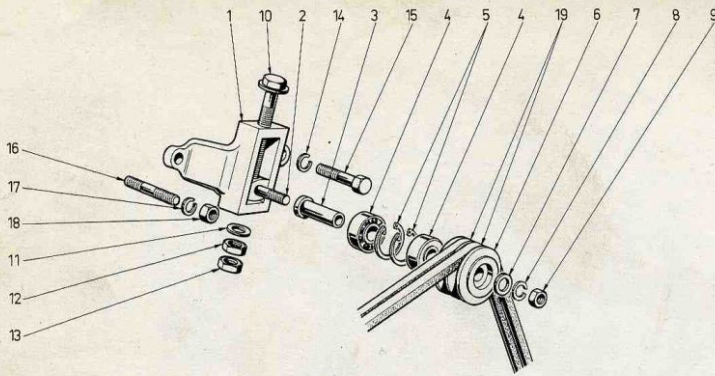


| 6 | 7 | 8 | 9 | 10 |
|----|----------|-------------|----|----|
| 1 | 61576841 | CORPS | 1 | |
| 2 | 61219373 | AXE | 1 | |
| 3 | 61204057 | ROULEMENT | 1 | |
| 4 | 61217306 | BAGUE | 1 | |
| 5 | 61204029 | ROULEMENT | 1 | |
| 6 | 61844024 | CLAVETTE | 1 | |
| 7 | 61850537 | CIRCLIPS | 1 | |
| 8 | 61573693 | INTERGAGUE | 1 | |
| 9 | 61225614 | BAGUE | 1 | |
| 10 | 61577571 | TURBINE | 1 | |
| 11 | 61815054 | RONDELLE | 1 | |
| 12 | 61920146 | ECROU | 1 | |
| 13 | 61233721 | JOINT | 1 | |
| 14 | 61239486 | EMBOUT | 1 | |
| 15 | 61803116 | VIS | 5 | |
| 16 | 61803124 | VIS | 2 | |
| 17 | 61803122 | VIS | 1 | |
| 18 | 61520233 | VIS | 1 | |
| 19 | 61234314 | POULIE | 1 | |
| 20 | 61815006 | RONDELLE | 1 | |
| 21 | 61801013 | ECROU | 1 | |
| 22 | 61861706 | CNTRE ECROU | 1 | |
| 23 | 61815224 | RONDELLE | 11 | |
| 24 | 61665813 | EMBOUT | 1 | |
| 25 | 61235003 | JOINT | 1 | |

| 6 | 7 | 8 | 9 | 10 |
|-----|----------|----------------|---|----|
| 26 | 61520133 | GOIJON | 2 | |
| 27 | 61801011 | ECROU | 2 | |
| 28 | 61235354 | DURITE | 1 | |
| 29 | 61095355 | COLLIER | 2 | |
| 30 | 61836035 | GRAISSEUR | 1 | |
| 999 | 61670944 | POMPE COMPLETE | 1 | |

| | |
|----|----|
| 10 | 11 |
|----|----|

| | |
|----|----|
| 10 | 11 |
|----|----|



| | | | | |
|----|----|-----|----|----|
| 00 | 45 | 208 | 00 | 04 |
| 1 | 2 | 3 | 4 | 5 |

camions
UNIC
FIAT

DÉSIGNATION PLANCHE : SE RÉFÉRER AUX PAGES "SOMMAIRE"
 PLATE DESIGNATION : REFER TO FLYLEAF
 BILDBESCHRIFTUNG : SIEHE VORSATZBLÄTTER

| | | | | |
|----|----|-----|----|----|
| 00 | 45 | 208 | 00 | 04 |
| 1 | 2 | 3 | 4 | 5 |

| 6 | 7 | 8 | 9 | 10 |
|----|----------|-----------------|---|----|
| 1 | 61235113 | SUPPORT | 1 | |
| 2 | 61236874 | AXE | 1 | |
| 3 | 61236789 | ENTRETQISE | 1 | |
| 4 | 61204108 | ROULEMENT | 2 | |
| 5 | 61850532 | CIRCLIPS | 2 | |
| 6 | 61236785 | POULIE | 1 | |
| 7 | 61236788 | RONDELLE | 1 | |
| 8 | 61815226 | RONDELLE | 1 | |
| 9 | 61801086 | ECROU | 1 | |
| 10 | 61237141 | VIS | 1 | |
| 11 | 61208309 | RONDELLE | 1 | |
| 12 | 61801085 | ECROU | 1 | |
| 13 | 61801705 | ECROU | 1 | |
| 14 | 61815224 | RONDELLE | 7 | |
| 15 | 61803107 | VIS | 1 | |
| 16 | 61520130 | GOUJON | 1 | |
| 17 | 61815225 | RONDELLE | 1 | |
| 18 | 61801012 | ECROU | 1 | |
| 19 | 61577739 | COURROIE 67x523 | 2 | |
| 20 | 61234786 | MUYEU | 1 | |
| 21 | 61803562 | VIS | 6 | |
| 22 | 61234370 | RONDELLE | 1 | |
| 23 | 61665163 | ACCOUPEMENT | 2 | |
| 24 | 61665477 | VENTILATEUR | 1 | |
| 25 | 61803109 | VIS | 6 | |

| 6 | 7 | 8 | 9 | 10 |
|----|----------|----------|---|----|
| 26 | 61234788 | RONDELLE | 1 | |
| 27 | 61236185 | RONDELLE | 1 | |
| 28 | 61803271 | VIS | 1 | |
| 29 | 61801011 | ECROU | 6 | |

| | | | | |
|----|----|-----|----|----|
| 00 | 45 | 208 | 00 | 04 |
| 1 | 2 | 3 | 4 | 5 |

PLANCHE - PLATE - BLATT

| | |
|--|------------|
| N° modification Change N° Änderungsnr. | 560 |
|--|------------|

Cabine avancée - Forward cab - Frontlenker "Groupe"

| Rep. Mark. Kennzfr. | Ancien montage Previous fitting Alte Montage | Pièces supprimées Parts cancelled Entfallende Teile | Nouveau montage New fitting Neue Montage | Désignation Designation Bezeichnung | Quant. Quant. Menge | Code* Code* Code* | Observations Observations Bemerkungen |
|---------------------|--|---|--|-------------------------------------|---------------------|-------------------|---------------------------------------|
| 26 | 234 788 | | 582 758 | Rondelle - Washer - Scheibe | 1 | 1 | |